

# LOW VOLTAGE MOLDED-CASE CIRCUIT BREAKERS SERIES KN

**NEW!**



*Five sizes*

*Ultimate breaking capacity  
 $I_{cu} \geq 65kA$  at 400V~*

*Microprocessor protection releases  
from 250A to 1600A*

*Visual indication status of breaker*

*Rated currents up to 1600A*

*Adjustable thermal and magnetic  
releases for currents up to 800A*

*Direct opening contact system*

*Many types of accessories*

# KONČAR

According to IEC 60947-2, EN 60947-2.

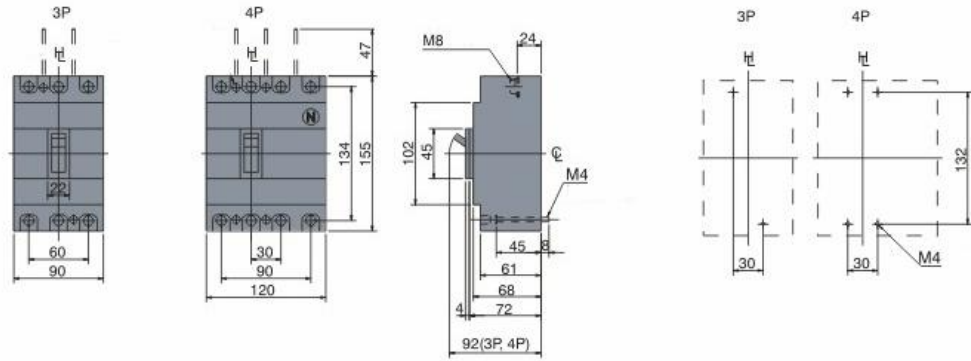
Maximum rated current		A	125	160	250		400		630	800		1250	1600			
Model			KN125	KN160	KN250		KN400		KN630	KN800		KN1250	KN1600			
Type			HM	HM	HM	HE	HM	HE	HE	HM	HE	HE	BE	HE		
Number of Poles			3, 4	3, 4	3, 4	3, 4	3, 4	3, 4	3, 4	3, 4	3, 4	3, 4	3, 4	3, 4		
Nominal current ratings		I <sub>n</sub> A	20, 32, 50, 63, 100, 125	50, 63, 100, 125, 160	160 200 250	40 125 250	250 400	250 400	630	630 800	630 800	1000 1250	1600	1600		
Protection		Adjustable thermal and magnetic	■	■	■	-	■	-	-	■	-	-	-	-		
		Microprocessor	-	-	-	■	-	■	■	-	■	■	■	■		
Utilisation category			A	A	A	A	A	B	A	A	B	B	B	B		
Rated Insulation Voltage		U <sub>i</sub> V	800	800	800	800	800	800	800	690	690	690	690	690		
Rated Impulse Withstand Volta.		U <sub>imp</sub> kV	8	8	8	8	8	8	8	8	8	8	8	8		
Rated Operational Voltage		V	690	690	690	690	690	690	690	690	690	690	690	690		
		V	600	600	600	-	600	-	-	250	-	-	-	-		
Rated Breaking Capacity		I <sub>cu</sub> /I <sub>cs</sub> kA	690V~	6 / 6	7,5 / 7,5	7,5	20 / 15	20 / 15	20 / 15	20 / 15	20 / 10	20 / 10	25 / 19	20 / 10	45 / 34	
			440V~	50 / 25	50 / 25	50 / 25	50 / 50	65 / 50	65 / 50	65 / 50	50 / 25	65 / 33	65 / 49	50 / 25	85 / 65	
			400V~	65 / 36	65 / 36	65 / 36	70 / 70	70 / 50	70 / 50	70 / 50	65 / 33	65 / 33	85 / 65	50 / 25	100 / 75	
			230V~	85 / 85	85 / 85	85 / 85	125 / 125	100 / 85	100 / 85	100 / 85	85 / 43	100 / 50	100 / 75	85 / 43	125 / 94	
			250V=	40 / 40	40 / 40	40 / 40	-	40 / 40	-	-	50 / 25	-	-	-	-	
Rated short-time withstand curr.		I <sub>cw</sub> kA	0,3 sek.	-	-	-	-	5	-	-	10	15	20	20		
Installation		Fixed	Front connection	■	■	■	■	■	■	■	■	■	■	■		
			Rear connection	■	■	■	■	■	■	■	■	■	■	■		
			Priklj. pred. produž.	■	■	■	■	■	■	■	■	■	■	■	■	
			Solderless terminal	■	■	■	■	■	■	-	■	■	-	-	-	
		Plug-in	Front or rear conn.	■	■	■	-	■	■	■	■	■	■	-	-	
		Draw-out	Front or rear conn.	-	-	-	-	■	■	-	■	■	■	■	■	
		DIN rail mo.		■	-	-	-	-	-	-	-	-	-	-	-	
Accessories		Shunt trip	SH	■	■	■	■	■	■	■	■	■	■	■		
		Under voltage Trip	UV	■	■	■	■	■	■	■	■	■	■	■		
		Auxiliary Switch	AX	■	■	■	■	■	■	■	■	■	■	■		
		Alarm Switch	AL	■	■	■	■	■	■	■	■	■	■	■		
		Operating Handle	HB/HP	■	■	■	■	■	■	■	■	■	■	■		
		Terminal Cover	CF/CR	■	■	■	■	■	■	■	■	■	■	■		
		Link Interlock	MS/ML/MW	■	■	■	■	■	■	■	■ <sup>1)</sup>	■ <sup>1)</sup>	■ <sup>1)</sup>	■ <sup>1)</sup>	■ <sup>1)</sup>	
		Motor Operator	MP	■	■	■	■	■	■	■	■	■	■	■	■	
Outline Dimensions		height	mm	155	165	165	165	260	260	260	273	273	370	370	370	
		width	mm	3 / 4pol.	90 / 120	105 / 140	105 / 140	105 / 140	140 / 185	140 / 185	140 / 185	210 / 280	210 / 280	210 / 280	210 / 280	210 / 280
		depth	mm		68	68	68	103	103	103	103	103	120	140	140	
Weight		3 / 4 pol.	kg	1,1 / 1,4	1,5 / 1,9	1,5 / 1,9	2,5 / 3,3	4,2 / 5,6	4,3 / 5,7	5,0 / 6,5	9,4 / 12,2	9,7 / 12,5	22,0 / 28,0	27,0 / 35,0	27,0 / 35,0	

<sup>1)</sup> Only type MS which is mounted at factory.

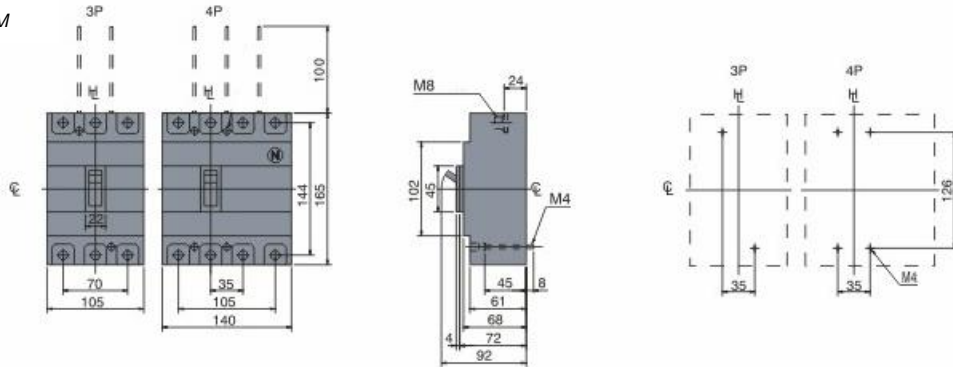
Note: On request we can offer MCCB's breaking capacity up to 200kA

# DIMENSIONS

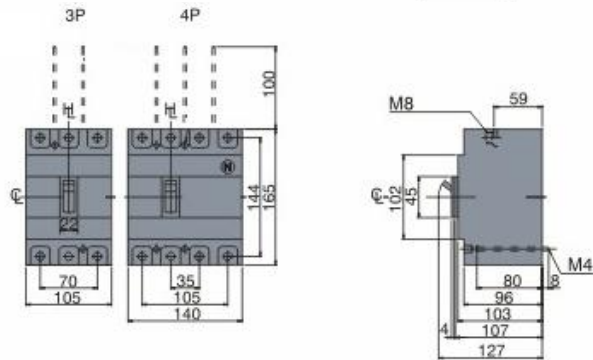
KN125-HM



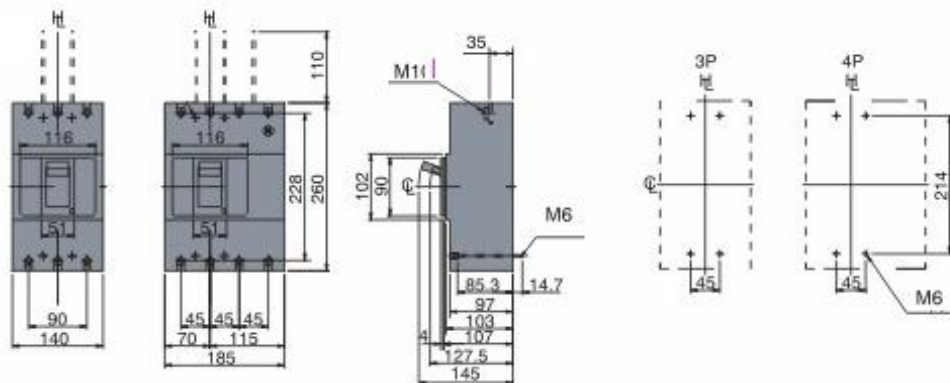
KN160-HM, KN250-HM



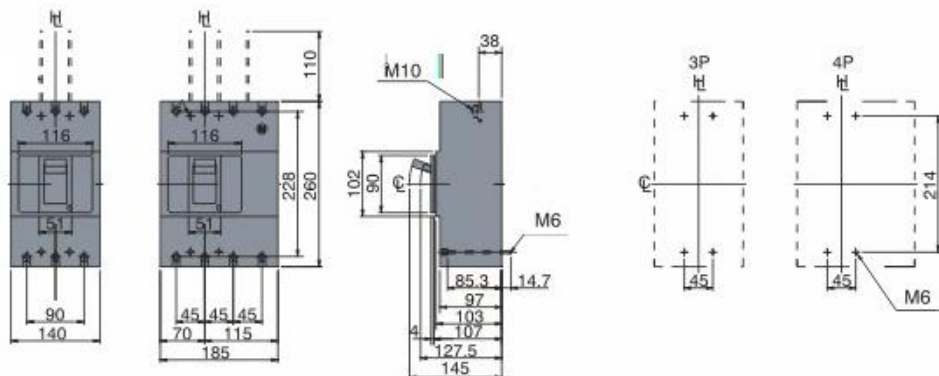
KN250-HE



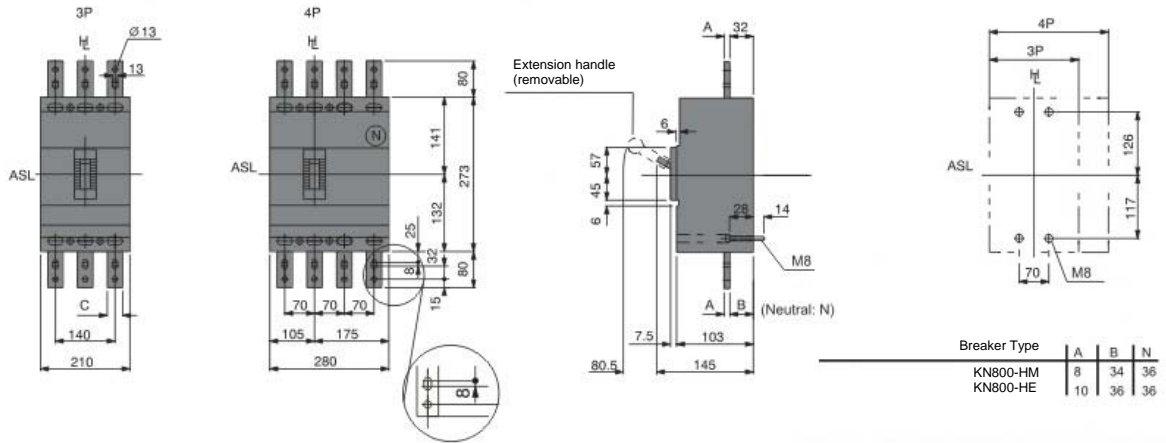
KN400-HM/HE



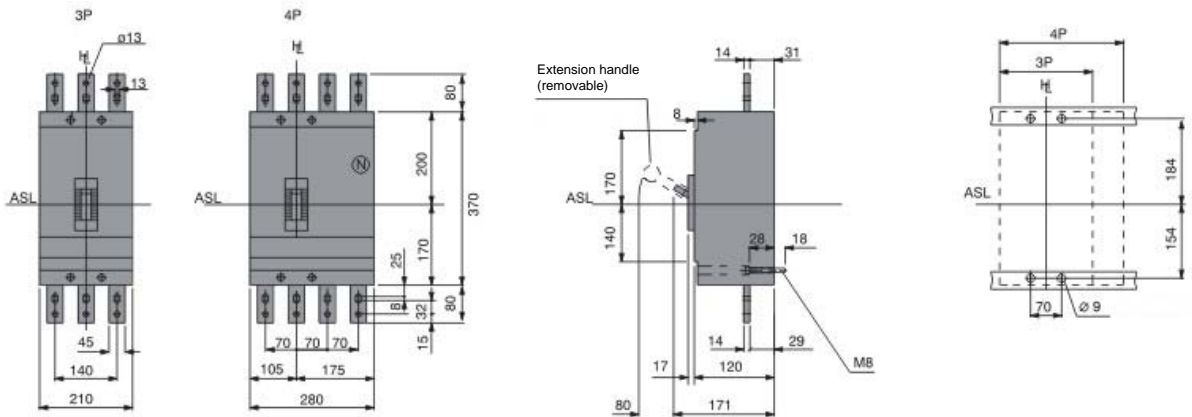
KN630-HE



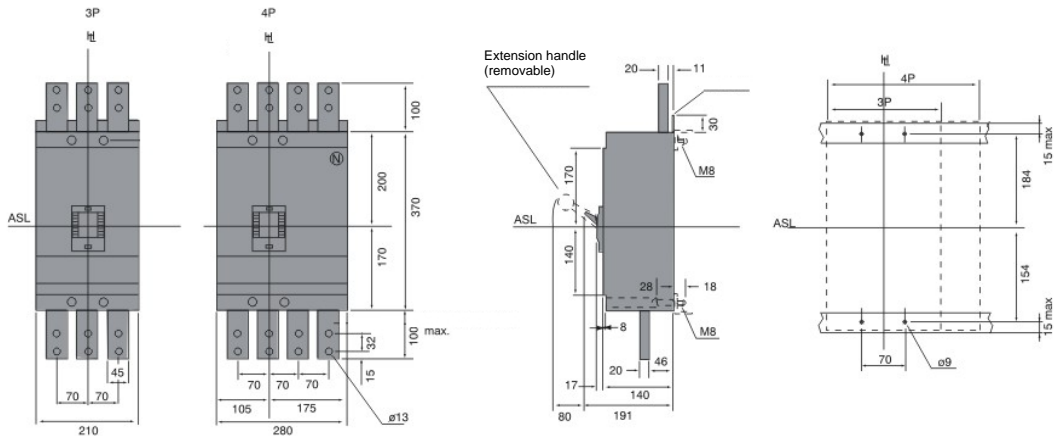
KN800-HM/HE



KN1250-HE



KN1600-BE/HE



The producer reserves the right of data altering.  
Additional information will be given on request.