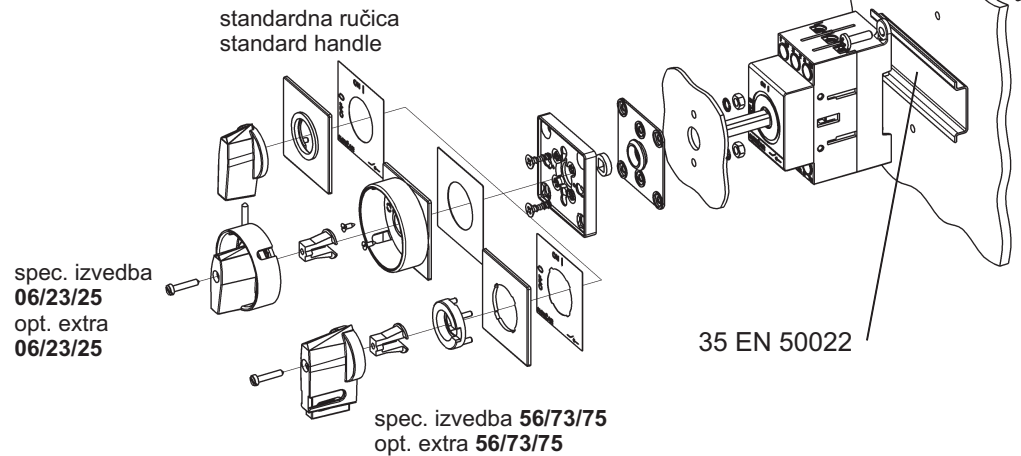
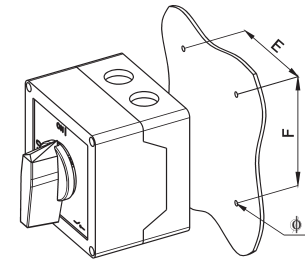


# KONČAR

- Odvojena ogradnja "O"  
- Rear mounting



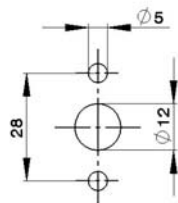
- Ugradnja u kućište "P"  
- Casing mounting



Tip Type	Tip kućišta Housing size	E	F	φG	Zaštita Protection
CSP40	125x175	112	146	5,5	IP65
CSP80	125x175 (11,21,22,31)	112	146	5,5	IP65
	140x210 (33)	91	160	5,5	IP65
	210x210 (44,53)	160	160	5,5	IP65

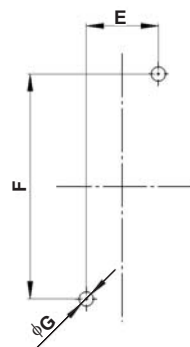
## Plan bušenja rupa Drilling plan for panel

Prednji lim  
Front plane

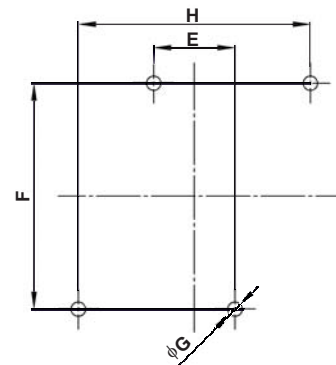


Stražnji lim (samo za izvedbu "O")  
Rear plane (only for option "O")

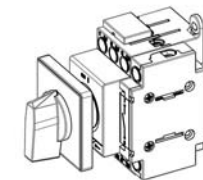
11,21,22,31,  
201,202,301



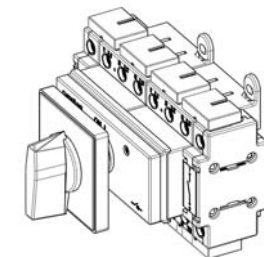
33,44,53



Tip Type	Shema	E	F	φG	H
CSP40	11,21,22,31, 201,202,301	25	78	4,5	-
	33,44,53	28	78	4,5	80
CSP80	11,21,22,31	40	88	5,5	-
	33,44,53	14	88	5,5	94



Shema 31



Shema 44



# Sheme spoja Connecting diagrams

11	21	201	22	202	31
301	33	44		53	
		CSP40		CSP80	