

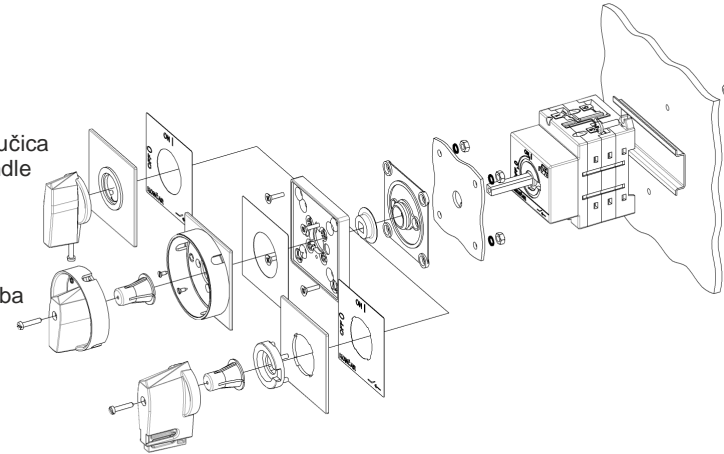
# KONČAR

- Odvojena ogradnja "O"
- Rear mounting

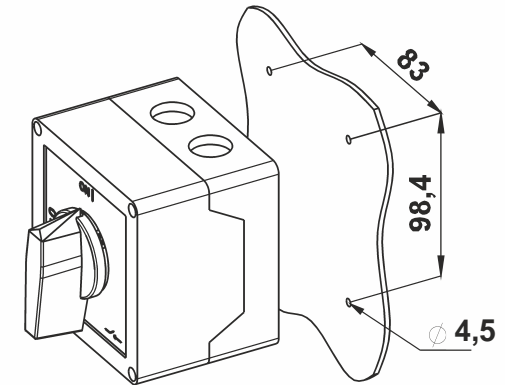
- Ugradnja u kućište "P"
- Casing mounting

standardna ručica  
standard handle

spec. izvedba  
06/23/25  
opt. extra  
06/23/25

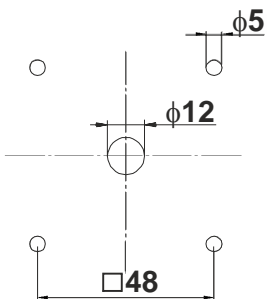


spec. izvedba 56/73/75  
opt. extra 56/73/75

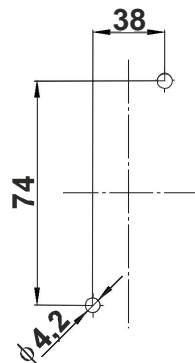


Plan bušenja rupa  
Drilling plan for panel

Prednji lim  
Front plane



Stražnji lim (samo za izvedbu "O")  
Rear plane (only for option "O")

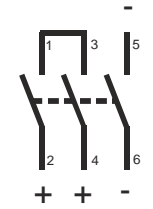


Standardne sheme sklapanja  
Standard switching diagram

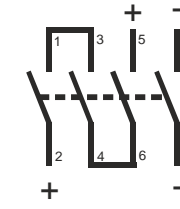
11



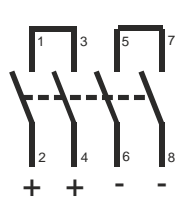
21



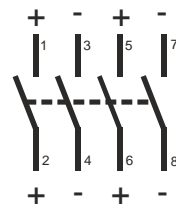
31



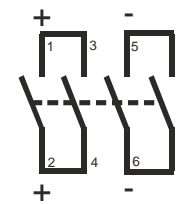
22



2x11



2+2



CO11

