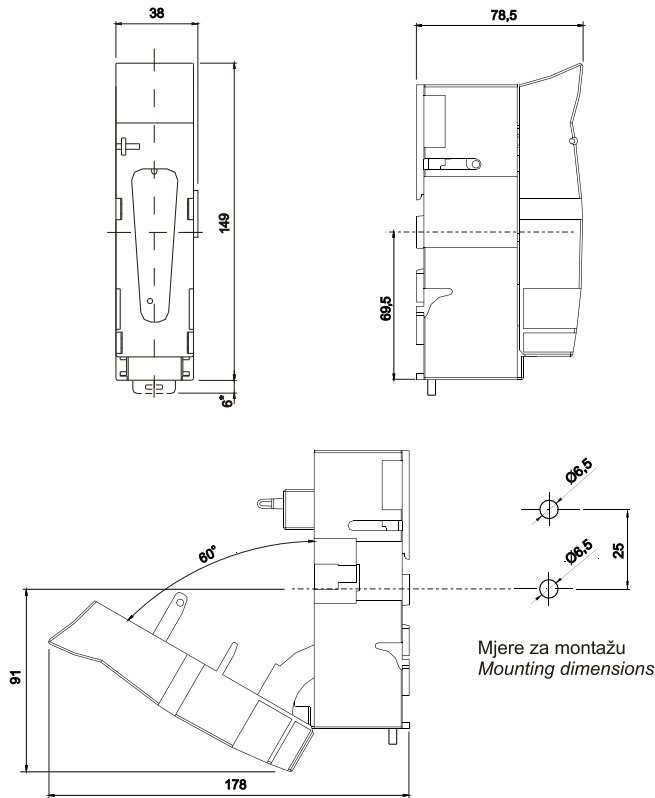


## D) Mjerne skice Dimension drawings



Dimenzije u mm  
Dimensions in mm

\*Sa priborom za pričvršćenje na profilni nosač 35mm  
\*With accessories for snapping onto 35mm mounting-rail

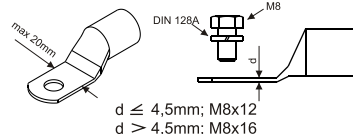
## Upute za montažu Installation instruction

# KONČAR

### A) Osigurač-rastavna sklopka tip OS-00C/1 - jedнопolna Fuse-switch disconnecter type OS-00C/1 - one pole

1. Vrste priključaka  
Type of terminals

a) **M8x12** (70mm<sup>2</sup>; M8; 12-15Nm)



b) **OS00** (6-50mm<sup>2</sup> Cu; 2,6Nm)  
(6-16 )mm<sup>2</sup> - 2x( M5x12)  
(25-50 )mm<sup>2</sup> - 2x( M5x14)

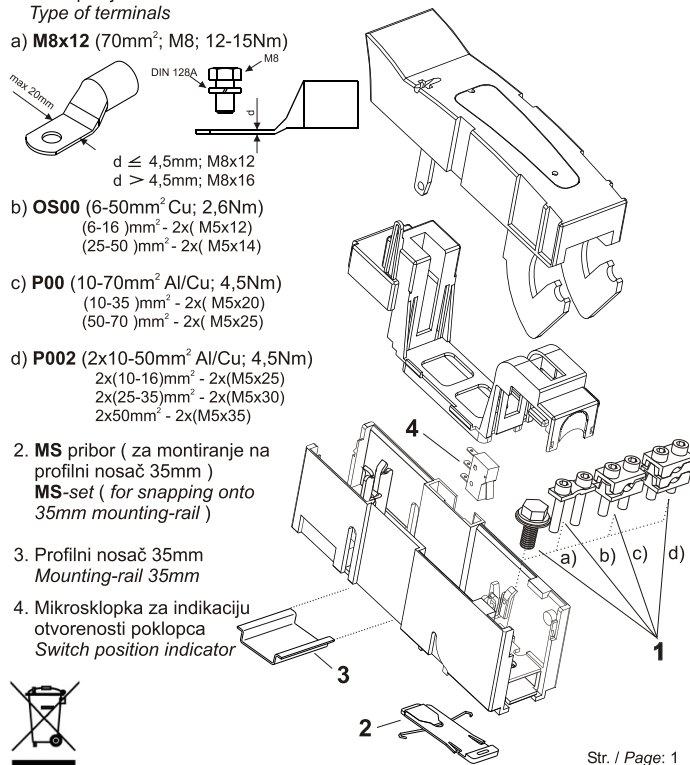
c) **P00** (10-70mm<sup>2</sup> Al/Cu; 4,5Nm)  
(10-35 )mm<sup>2</sup> - 2x( M5x20)  
(50-70 )mm<sup>2</sup> - 2x( M5x25)

d) **P002** (2x10-50mm<sup>2</sup> Al/Cu; 4,5Nm)  
2x(10-16)mm<sup>2</sup> - 2x(M5x25)  
2x(25-35)mm<sup>2</sup> - 2x(M5x30)  
2x50mm<sup>2</sup> - 2x(M5x35)

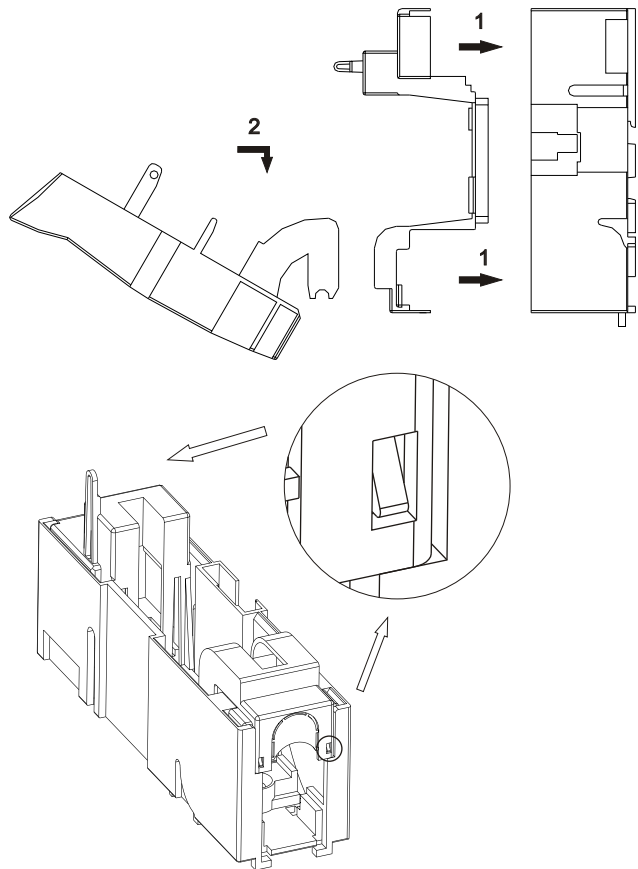
2. **MS** pribor ( za montiranje na profilni nosač 35mm )  
**MS-set** ( for snapping onto 35mm mounting-rail )

3. Profilni nosač 35mm  
Mounting-rail 35mm

4. Mikrosklopka za indicaciju otvorenosti poklopca  
Switch position indicator



**B) Montiranje zaštitne kape i poklopca**  
*Mounting protective cap and cover*



**C) Montiranje na profilni nosač 35mm**  
*Snapping onto 35mm mounting-rail*

