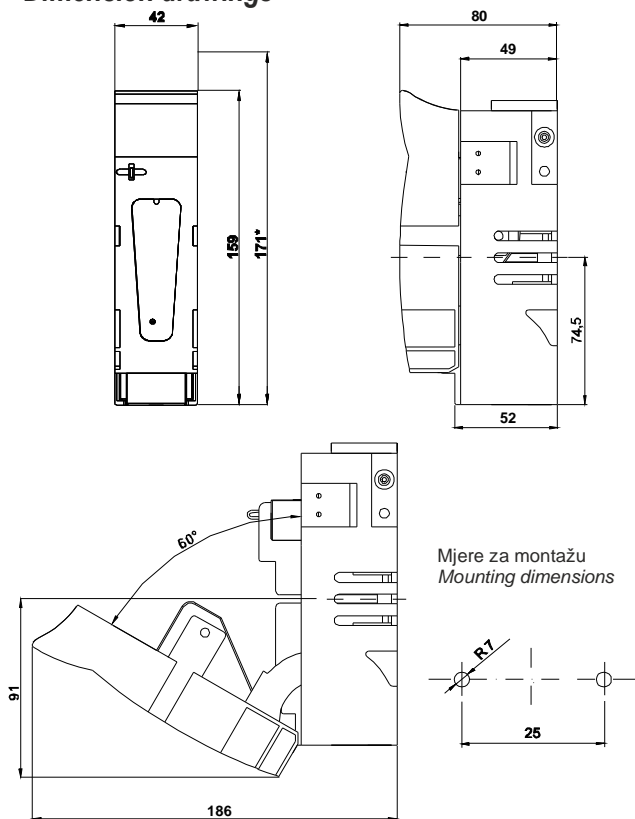


D) Mjerne skice Dimension drawings



Dimenzije u mm
Dimensions in mm

*Sa priborom za montiranje na sustav šina razmaka 125mm / 150mm

*With accessories for mounting between 2 standard rails
125mm / 150mm apart

Str. / Page: 4

Upute za montažu Installation instruction

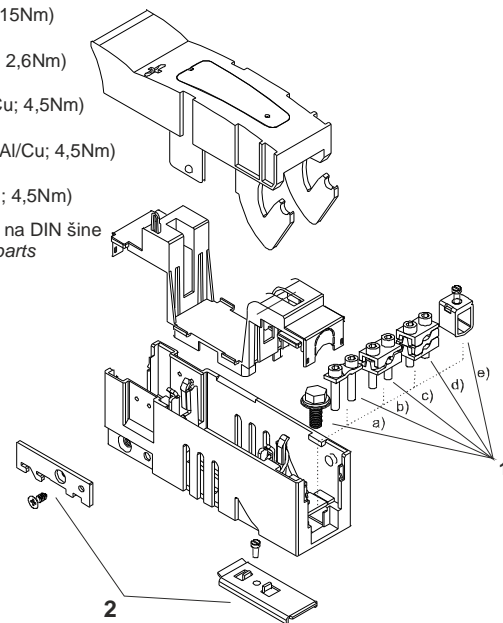
KONČAR

A) Osigurač-rastavna sklopka tip OS-00/1 Fuse-switch disconnecter type OS-00/1

1. Vrste priključaka
Type of terminals

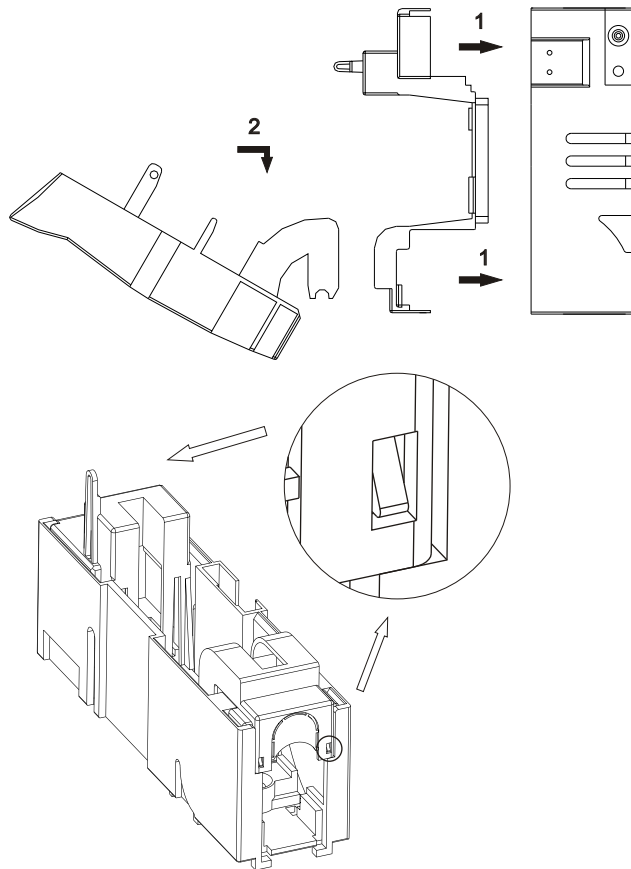
- a) **M8x16** (70mm²; 12-15Nm)
- b) **OS00** (6-50mm² Cu; 2,6Nm)
- c) **P00** (10-70mm² Al/Cu; 4,5Nm)
- d) **P002** (2x10-50mm² Al/Cu; 4,5Nm)
- e) **BOX** (10-70mm² Cu; 4,5Nm)

2. Pribor za montiranje na DIN šine
Mounting-rail fixing parts



Str. / Page: 1

B) Montiranje zaštitne kape i poklopca
Mounting protective cap and cover



C) Montiranje na šine (125 mm / 150mm)
Mounting onto standard rail (125 mm / 150mm)

